

# Tourmaster™ Storage and Transport Carts

## Cart for 6' Tourmaster Risers with 18" Steps

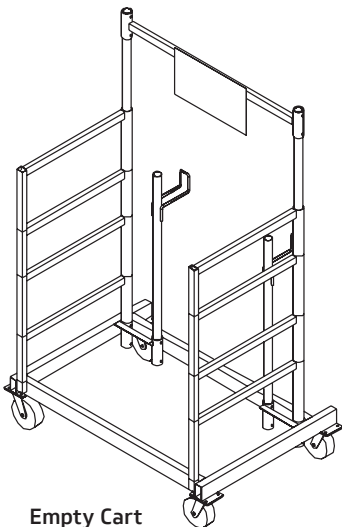
- Part number: 024F950
- Weights and dimensions:  
Empty: 66"l x 30-1/4"w x 77-3/4"h (1676 x 768 x 1975 mm), 166 lb (75 kg)  
With 3-step risers and back rail: 84"l x 30-1/4"w x 77-3/4"h (2134 x 768 x 1975 mm), 800 lb (363 kg)  
With 3-step risers, back rail, and 4th step additions: 106"l x 30-1/4"w x 77-3/4"h (2692 x 768 x 1975 mm), 1012 lb (459 kg)
- 6" (152 mm) diameter casters, all four casters swivel
- Cart is steel construction with black baked on powder-coat paint
- Lift and rotate swing arms out of the way to allow risers to be easily loaded and unloaded
- Fits through a standard 36" (914 mm) doorway
- Cart is designed to carry four risers, four rails (back, side or a combination) and four optional 4th-steps

## Cart for 4' Tourmaster Risers with 18" Steps

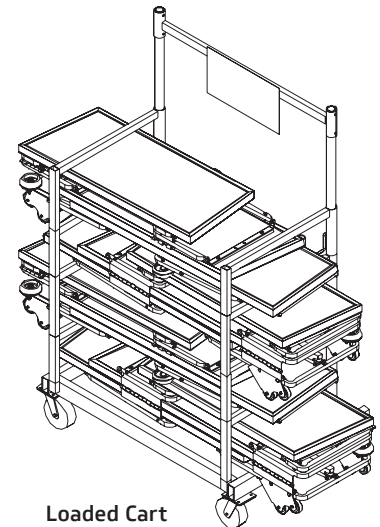
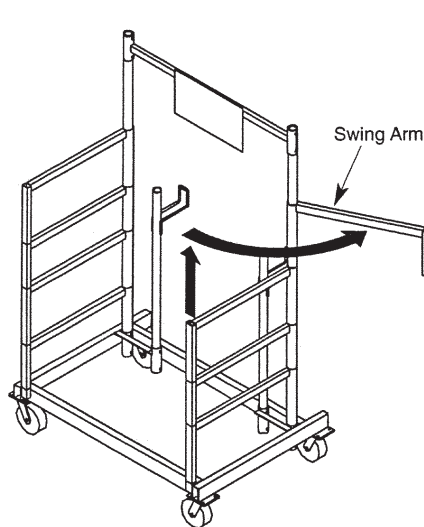
- Part number: 024F951
- Weights and dimensions:  
Empty: 51"l x 30-1/4"w x 77-3/4"h (1295 x 768 x 1975 mm), 160 lb (73 kg)  
With 3-step risers and back rail: 68"l x 30-1/4"w x 77-3/4"h (173 x 768 x 1975 mm), 670 lb (304 kg)  
With 3-step risers, back rail, and 4th step additions: 87"l x 30-1/4"w x 77-3/4"h (2210 x 768 x 1975 mm), 850 lb (386 kg)
- 6" (152 mm) diameter casters, all four casters swivel
- Cart is steel construction with black baked on powder-coat paint
- Lift and rotate swing arms out of the way to allow risers to be easily loaded and unloaded
- Fits through a standard 36" (914 mm) doorway
- Cart is designed to carry four risers, four back rails and four optional 4th-steps

## Cart for Tourmaster Risers with 24" Steps

- Part number: 024F952
- Weights and dimensions:  
Empty: 51"l x 36-1/4"w x 77-3/4"h (1295 x 921 x 1975 mm), 166 lb (77 kg)  
With 3-step risers and back rail: 68"l x 36-1/4"w x 77-3/4"h (1727 x 921 x 1975 mm), 760 lb (345 kg)  
With 3-step risers, back rail, and 4th step additions: 87"l x 36-1/4"w x 77-3/4"h (2210 x 921 x 1975 mm), 975 lb (442 kg)
- 6" (152 mm) diameter casters, all 4 casters swivel
- Cart is steel construction with black baked on powder-coat paint
- Lift and rotate swing arms out of the way to allow risers to be easily loaded and unloaded
- 40" (1016 mm) doorway required
- Cart is designed to carry four risers, four back rails and four optional 4th-steps



Empty Cart



Loaded Cart

